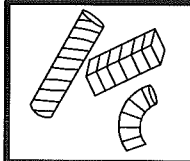


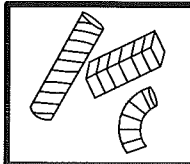
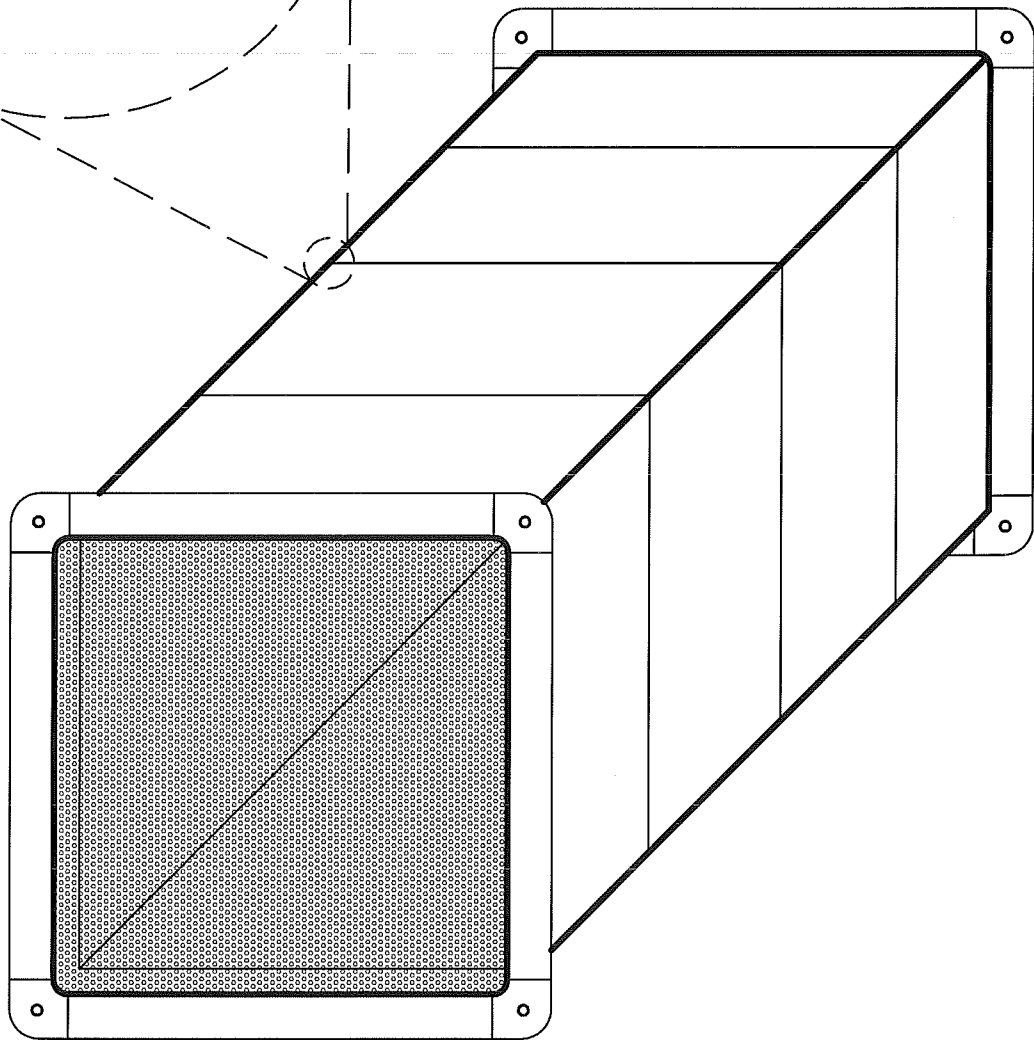
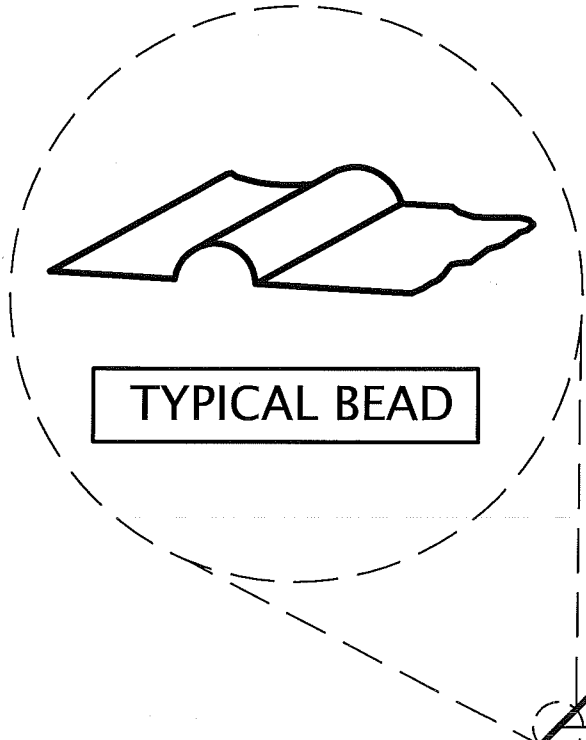
PITTSBURGH LOCK



SQUARE PERFORATED DOUBLE WALL

METALCO MFG, INC.
700 west 20th. street. Hialeah, Florida 33010 Ph: (305) 592-0704

1
SPDW

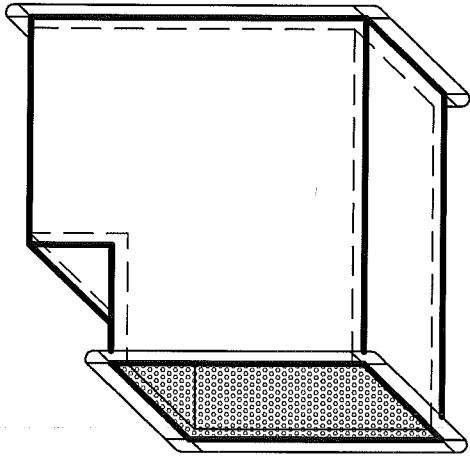


SQUARE PERFORATED DOUBLE WALL

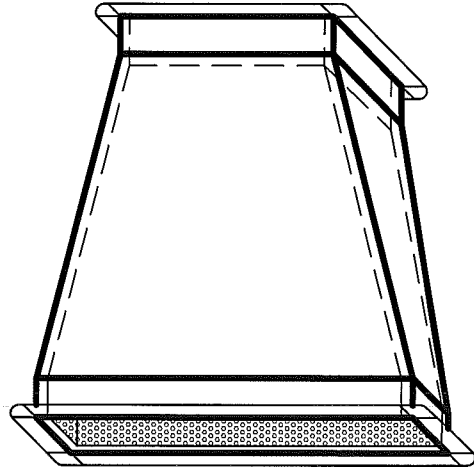
METALCO MFG, INC.

700 west 20th. street. Hialeah, Florida 33010 Ph: (305) 592-0704

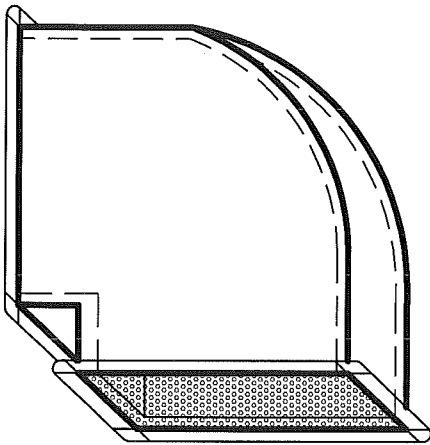
2
SPDW



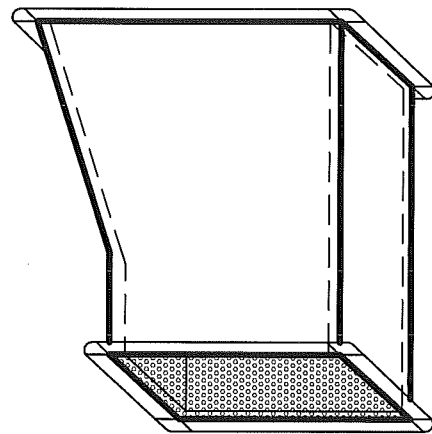
90° - ELBOW



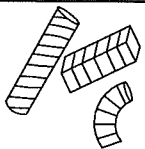
REDUCER



90° - RADIUS



REDUCER



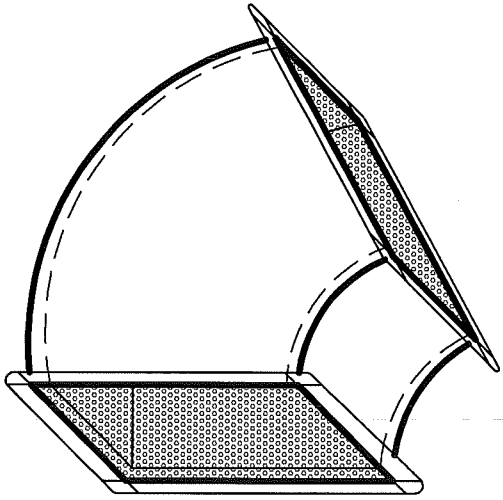
SQUARE PERFORATED DOUBLE WALL

METALCO MFG, INC.

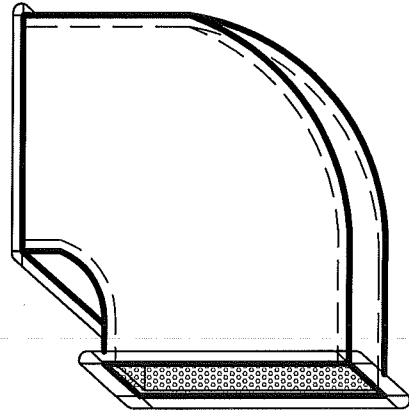
700 west 20th. street. Hialeah, Florida 33010 Ph: (305) 592-0704

3

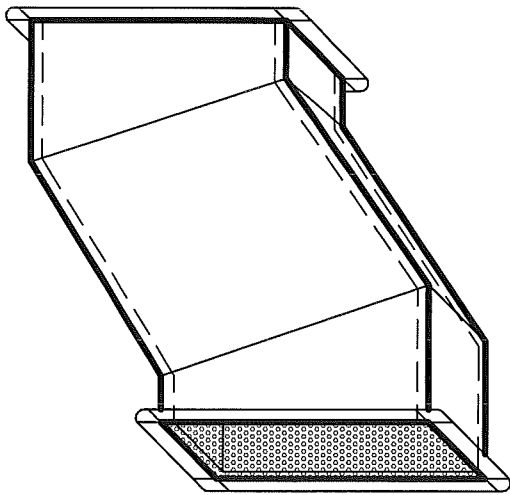
SPDW



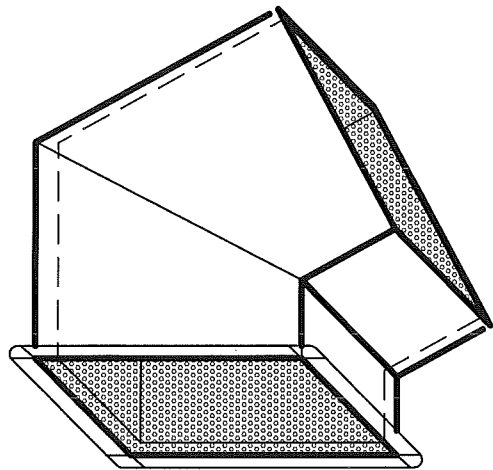
45° - FULL RADIUS



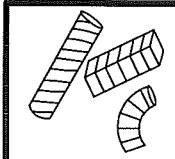
90° - FULL RADIUS



OFFSET

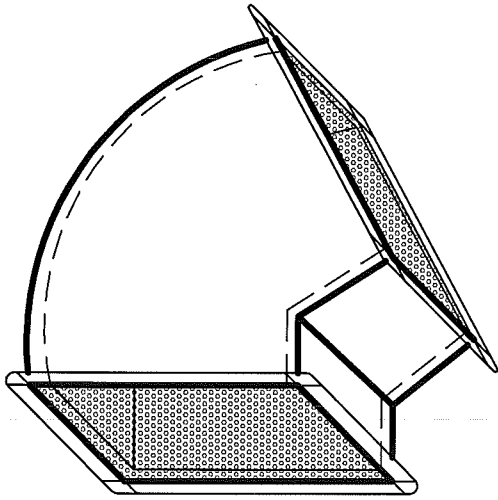


45° NON-ELBOW

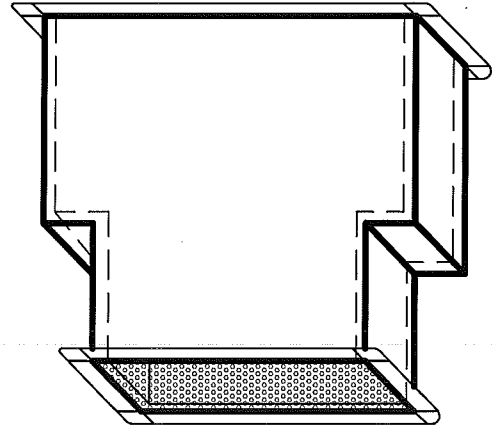


SQUARE PERFORATED DOUBLE WALL
METALCO MFG, INC.
700 west 20th. street. Hialeah, Florida 33010 Ph: (305) 592-0704

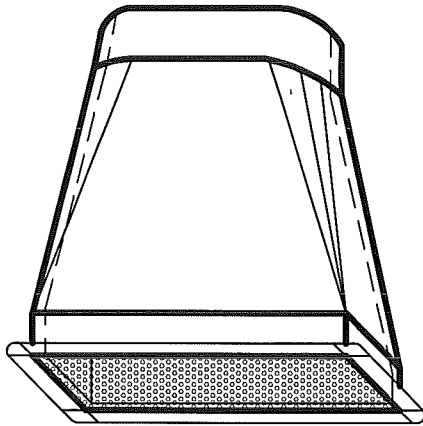
4
SPDW



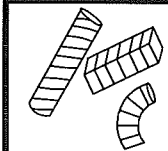
45° - RADIUS



TEE



SQUARE TO ROUND



SQUARE PERFORATED DOUBLE WALL

METALCO MFG, INC.

700 west 20th. street. Hialeah, Florida 33010 Ph: (305) 592-0704

5
SPDW